

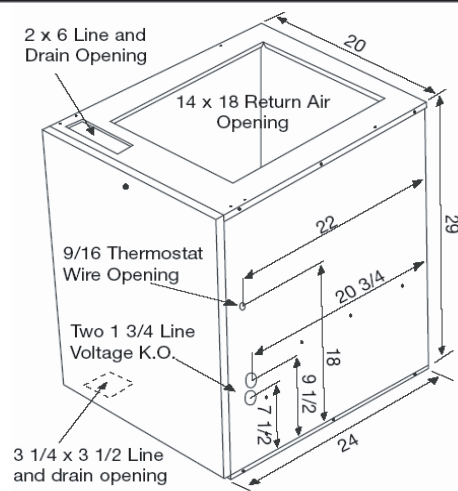
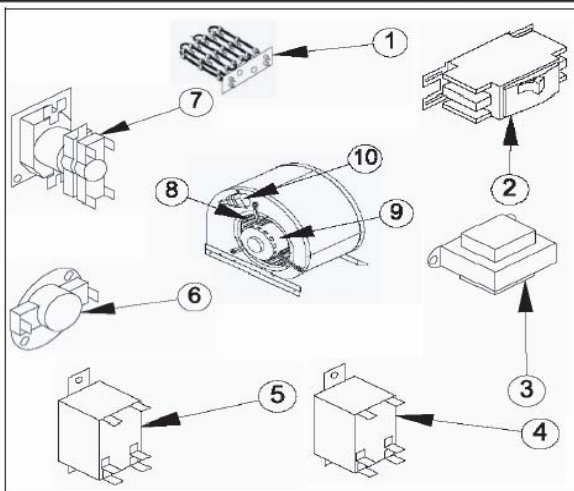
MORTEX™

Manufactured Housing Products

Furnace Information Sheet

BMH Series Down Flow Electric Furnace Replacement Parts/Service Truck Stocking List

Replacement Parts for BMH Electric Furnace				
ITEM #	USED ON FURNACE MODEL	QTY	PART #	DESCRIPTION
1	BMH-55, 32, 33, ED	1	R67AB0001	3 KW@240V HEATING ELEMENTS
1	BMH-55, 32, 33, ED	1	R67AB0002	4 KW@240V HEATING ELEMENTS
1	BMH-55, 32, 33, ED	1	R67AB0003	5 KW@240V HEATING ELEMENTS
1	BMH-55, 32, 33, ED	1	R67AB0004	6 KW@240V HEATING ELEMENTS
1	BMH-55, 32, 33, ED	1	R67AB0007	8 KW@240V HEATING ELEMENTS
1	BMH-55, 32, 33, ED	1	R67AB0005	10 KW@240V HEATING ELEMENTS
1	BMH-55, 32, 33, ED	1	R67AB0006	12 KW@240V HEATING ELEMENTS
1	BMH-55, 32, 33, ED	1	R67AB0014	15 KW@240V HEATING ELEMENTS
2	BMH-55, 32, 33, ED	1	R68BAD001	20 AMP @240V CIRCUIT BREAKER DP
2	BMH-55, 32, 33, ED	1	R68BAD001	25 AMP @240V CIRCUIT BREAKER DP
2	BMH-55, 32, 33, ED	1	R68BAD001	30 AMP @240V CIRCUIT BREAKER DP
2	BMH-55, 32, 33, ED	1	R68BAD001	35 AMP @240V CIRCUIT BREAKER DP
2	BMH-55, 32, 33, ED	1	R68BAD001	45 AMP @240V CIRCUIT BREAKER DP
2	BMH-55, 32, 33, ED	1	R68BAD001	50 AMP @240V CIRCUIT BREAKER DP
2	BMH-55, 32, 33, ED	1	R68BAD001	60 AMP @240V CIRCUIT BREAKER DP
3	BMH-55, 32, 33, ED	1	R68AA0003	240V / 24V / 40VA TRANSFORMER
4	BMH-55, 32, 33, ED	1	R68AB0001	BLOWER RELAY DPDT
5	BMH-55, 32, 33, ED	1	R68AC0001	TIME DELAY RELAY (TDR)
6	BMH-55, 32, 33, ED	1	R68CA0002	240V - 130F / 100F LIMIT SWITCH
7	BMH-55, 32, 33, ED	1	R68AD0002	240V DP HEAT SEQUENCER
7	BMH-55, 32, 33, ED	1	R68AD0003	240V SP HEAT SEQUENCER
8	BMH-55, ED	1	R69AB0001	10 X 8 BLOWER WHEEL
8	BMH-32, 33	1	R69AB0002	11 X 8 BLOWER WHEEL
9	BMH-55	1	R65BA0014	1/3 HP 230V MOTOR
9	BMH-32	1	R65AA0001	1/2 HP 230V MOTOR
9	BMH-33	1	R65AA0006	3/4 HP 230V MOTOR
9	BMH-ED	1	TBD	SEE TECHNICAL BULLETIN
10	BMH-55, 32	1	R68DE0003	5 MFD / 370V CAPACITOR
10	BMH-33	1	R68DE0002	15 MFD / 370V CAPACITOR



SERVICE TRUCK STOCKING LIST		
ITEM DESCRIPTION	PART NO.	QUANTITY
240V - 130F / 100F LIMIT SWITCH	R68CA0002	1
BLOWER RELAY DPDT	R68AB0001	1
TIME DELAY RELAY (TDR)	R68AC0001	OPTIONAL
240V / 24V / 40VA TRANSFORMER	R68AA0003	1