

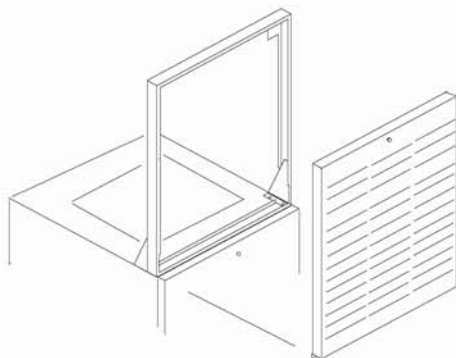
# MORTEX™

## Manufactured Housing Products

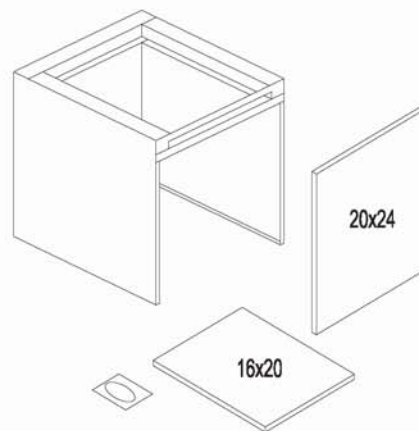
### ACCESSORIES: MORTEX BMH SERIES M-H ELECTRIC FURNACE

- A. 97-BCC-01 RA GRILL & FRAME- appliance white finish on the full louver grille and mounting frame complement the Mortex BMH Series furnace. The 20" wide mounting frame fits all BMH and Nordyne's FE, E1/E2 furnaces. A screw turn latch on the grill allows easy front access to coil filters.

(A)

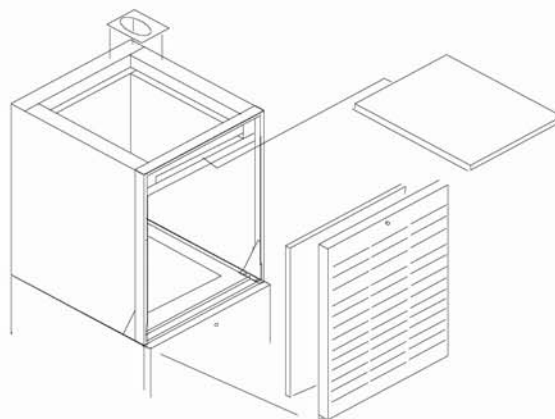


(B)



- B. 97-BCC-02 RA BOX & FILTERS- The pre-assembled return box encloses AC/HP, M-H coils up to 24" tall. The return box installs on all Mortex Series BMH and Nordyne downflow electric furnaces. It's designed to comply with all installation codes and includes standard size 16x20 & 20x24 disposable air filters----- enough filter area for a 60,000 Btuh cooling system. The adapter plate secures 5"D outdoor ventilation air ducting to pre-punched holes on top of the RA box. As a result the ventilation air is filtered and drawn through the AC/HP coil, not around it.

(C)



### C. 97-BCC-01 and 97-BCC-02 INSTALLED ON DOWNFLOW ELECTRIC FURNACE

Provides a completely finished cabinet installation; freestanding in a utility room or enclosed in a closet or alcove. Both filters are easily accessed from the front by the homeowner.